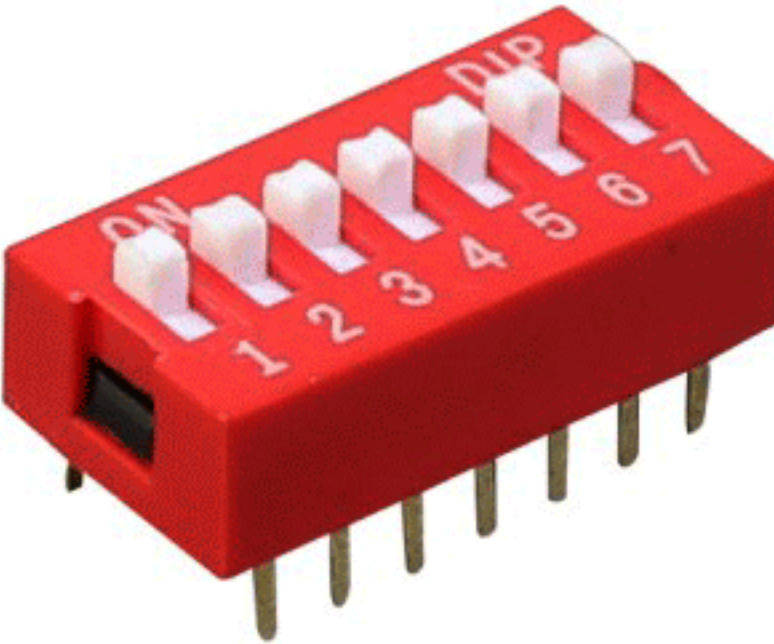
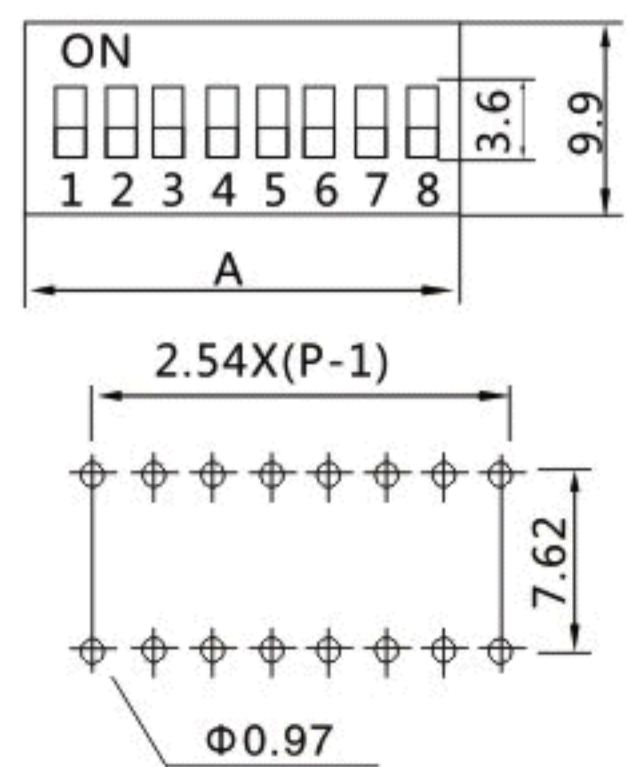


选型说明 How to order

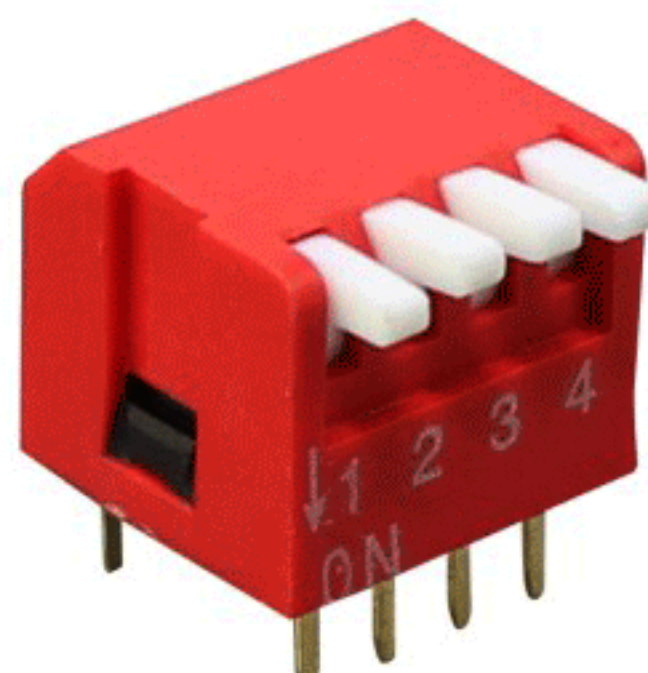
<b>DM</b>		-		<b>F</b>		<b>02</b>		<b>BK</b>		<b>T</b>	
类型 Model NO				头部形状 Actuator		位数 Position		颜色 Housing Color		包装 Packing	
DS	Slide Type	DI	Low Profile Type	R	Raised	01	1 Position	R	红色Red	T	Tube
DA	Right Angle Type	DM	Low Profile SMT	F	Flat	⋮	⋮	BL	蓝色Blue	R	Reel Packing
DP	Piano Type	DM-1.27	Half-pitch SMT	T	Tape seal	12	12 Positions	B	黑色Black		



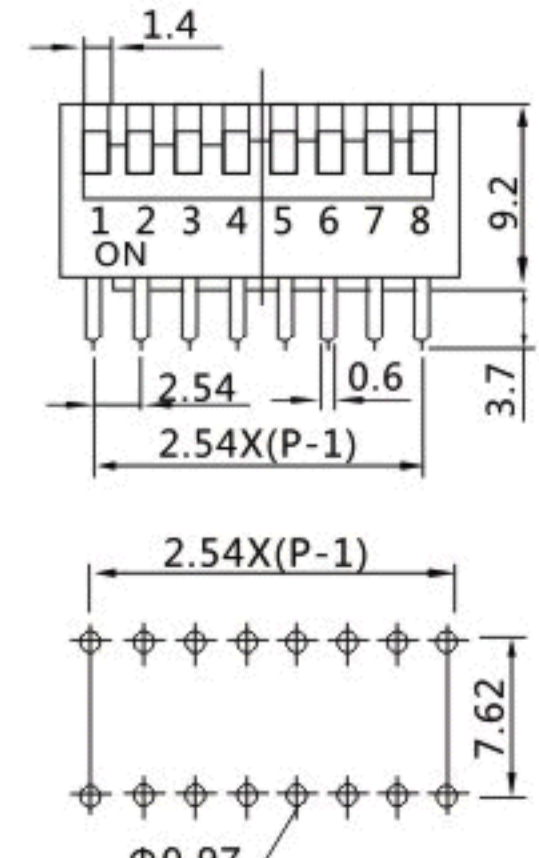
DS-01  
DS-02  
DS-03  
DS-04  
DS-05  
DS-06  
DS-07  
DS-08  
DS-09  
DS-10  
DS-12



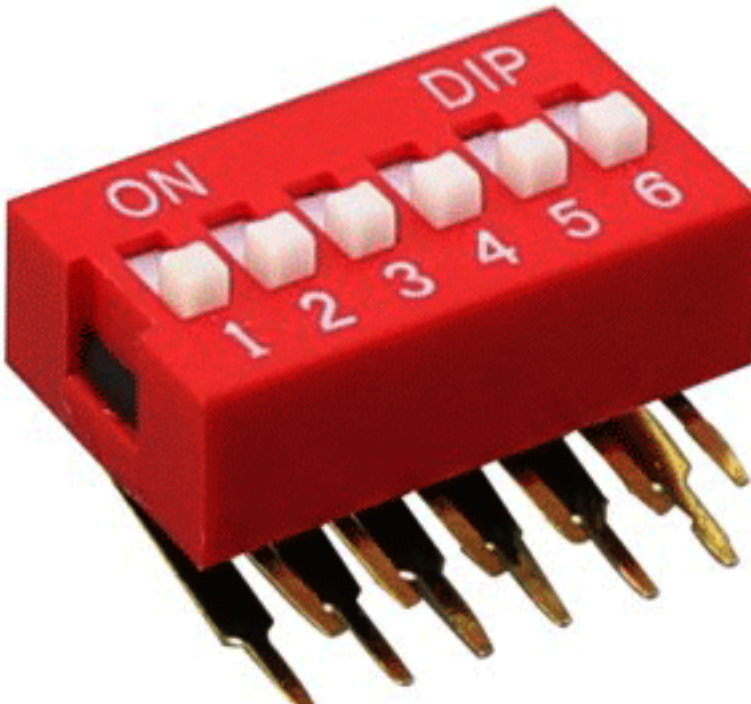
ON  
1 2 3 4 5 6 7 8  
3.6  
9.9  
A  
2.54X(P-1)  
7.62  
Φ0.97



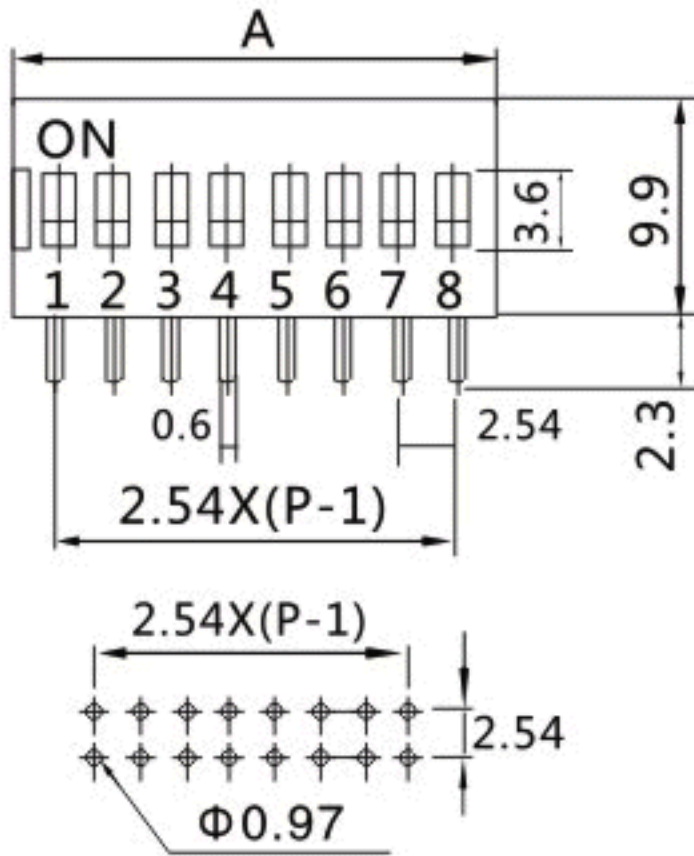
DP-02  
DP-03  
DP-04  
DP-05  
DP-06  
DP-07  
DP-08  
DP-10  
DP-12



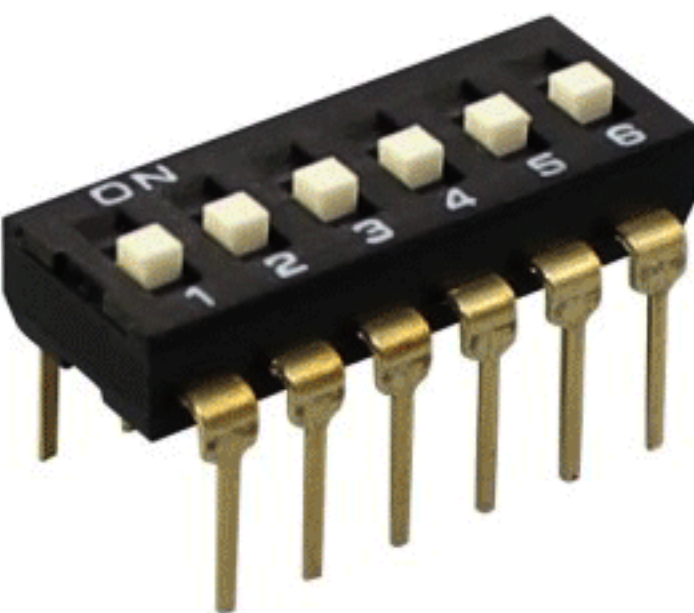
1.4  
1 2 3 4 5 6 7 8  
ON  
9.2  
2.54  
0.6  
3.7  
2.54X(P-1)  
7.62  
Φ0.97



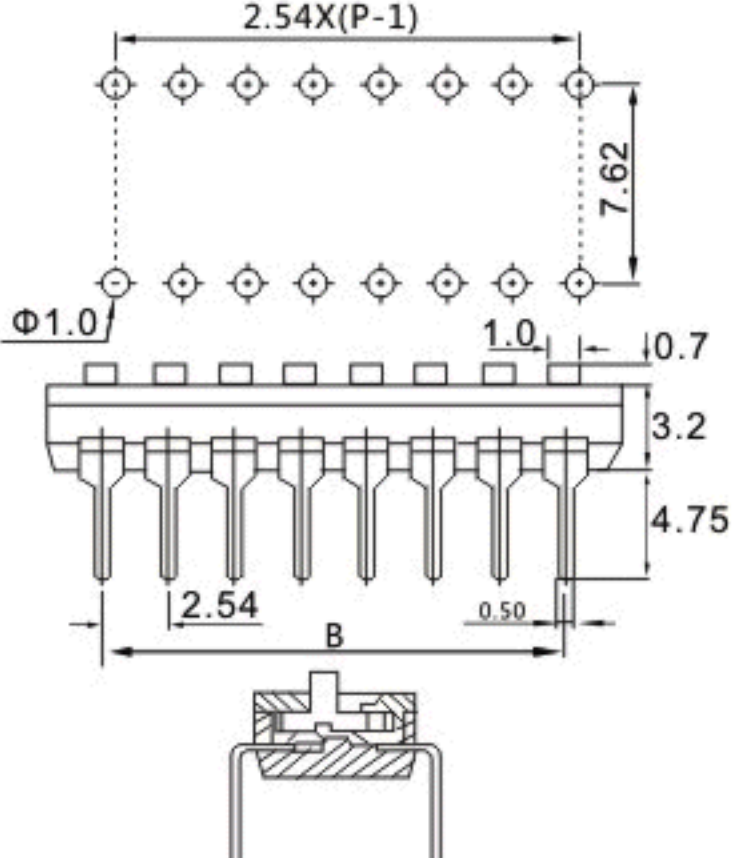
DA-02  
DA-03  
DA-04  
DA-05  
DA-06  
DA-07  
DA-08  
DA-10  
DA-12



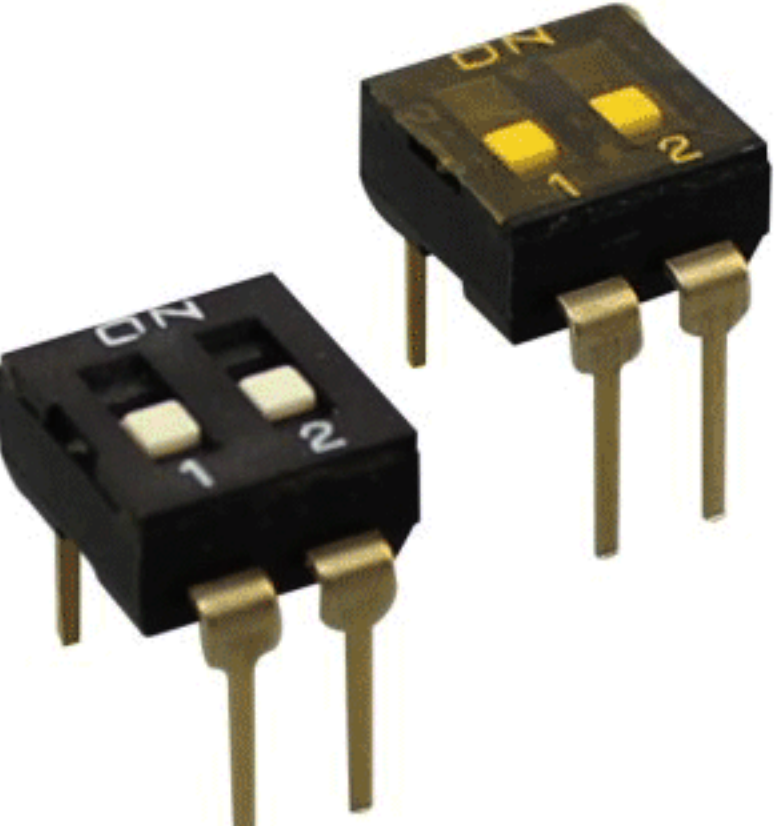
ON  
1 2 3 4 5 6 7 8  
3.6  
9.9  
A  
0.6  
2.54  
2.3  
2.54X(P-1)  
2.54  
Φ0.97



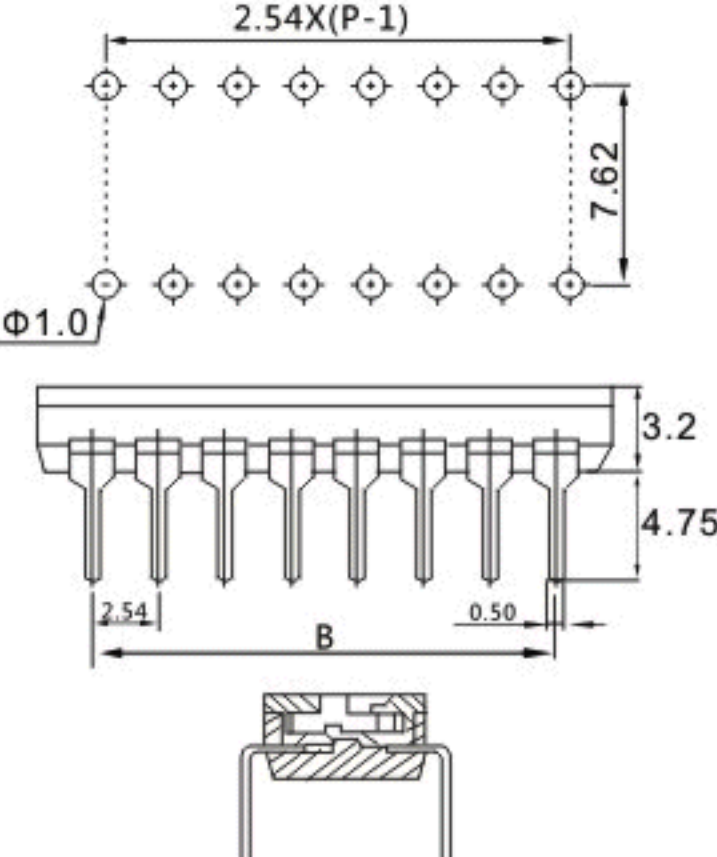
DI-R01  
DI-R02  
DI-R03  
DI-R04  
DI-R05  
DI-R06  
DI-R07  
DI-R08  
DI-R10  
DI-R12



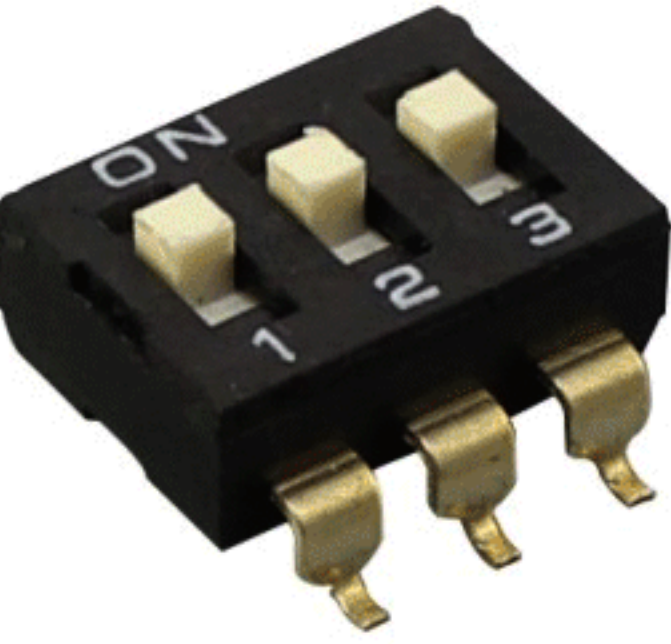
2.54X(P-1)  
7.62  
Φ1.0  
1.0  
0.7  
3.2  
4.75  
2.54  
B  
0.50



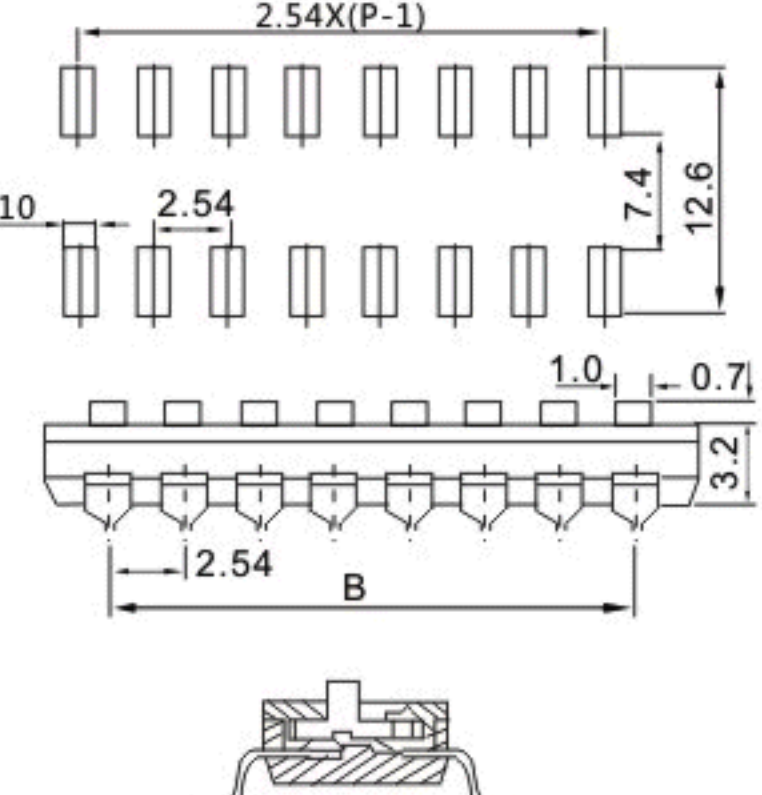
DI-F01  
DI-F02  
DI-F03  
DI-F04  
DI-F05  
DI-F06  
DI-F07  
DI-F08  
DI-F10  
DI-F12



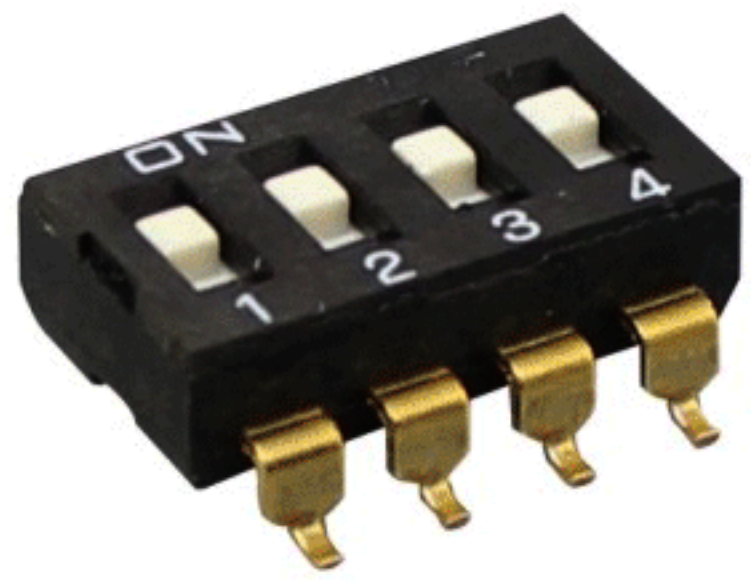
2.54X(P-1)  
7.62  
Φ1.0  
3.2  
4.75  
2.54  
B  
0.50



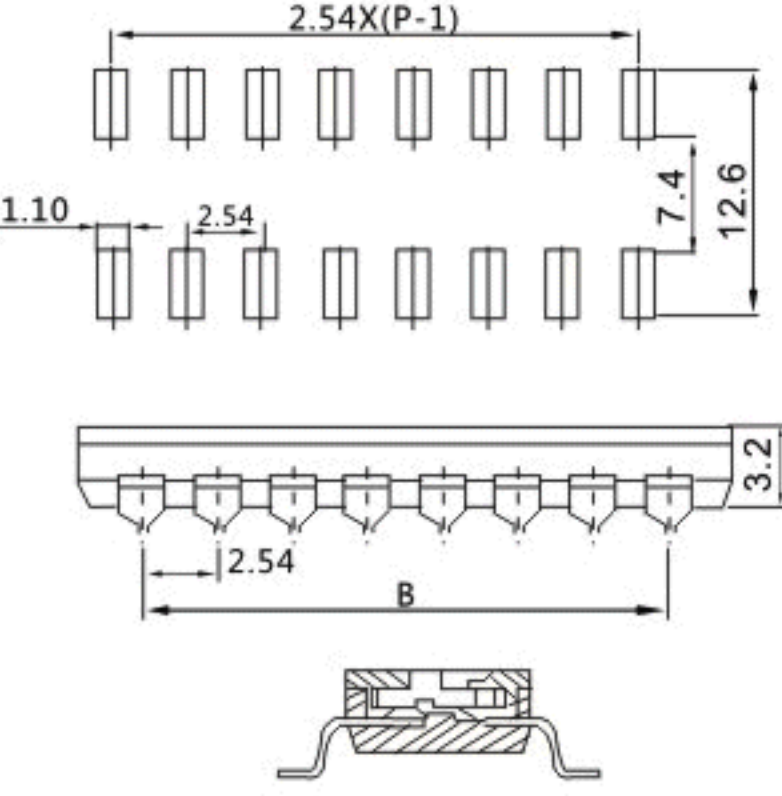
DM-R01  
DM-R02  
DM-R03  
DM-R04  
DM-R05  
DM-R06  
DM-R07  
DM-R08  
DM-R10  
DM-R12



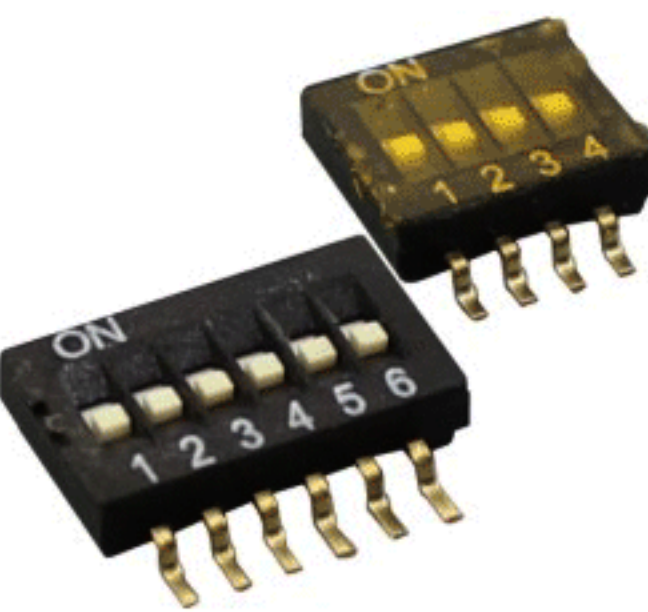
2.54X(P-1)  
1.10  
2.54  
7.4  
12.6  
1.0  
0.7  
3.2  
2.54  
B



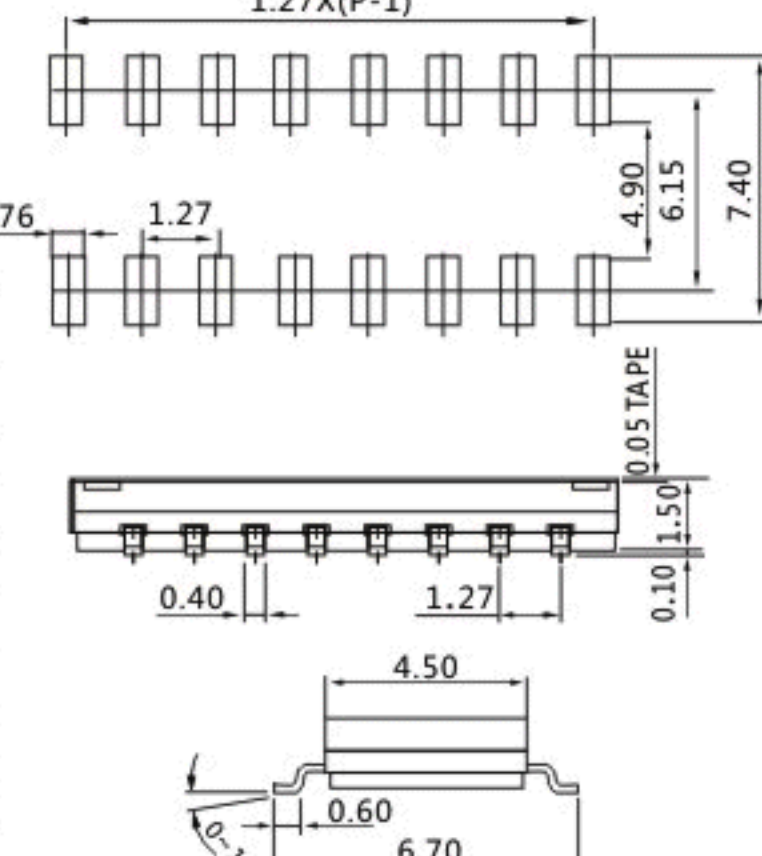
DM-F01  
DM-F02  
DM-F03  
DM-F04  
DM-F05  
DM-F06  
DM-F07  
DM-F08  
DM-F10  
DM-F12



2.54X(P-1)  
1.10  
2.54  
7.4  
12.6  
3.2  
2.54  
B



DM-1.27-02  
DM-1.27-03  
DM-1.27-04  
DM-1.27-05  
DM-1.27-06  
DM-1.27-07  
DM-1.27-08  
DM-1.27-10  
DM-1.27-12



1.27X(P-1)  
0.76  
1.27  
4.90  
6.15  
7.40  
0.05 TAPE  
1.50  
0.10  
0.40  
1.27  
0.10  
4.50  
0.60  
6.70